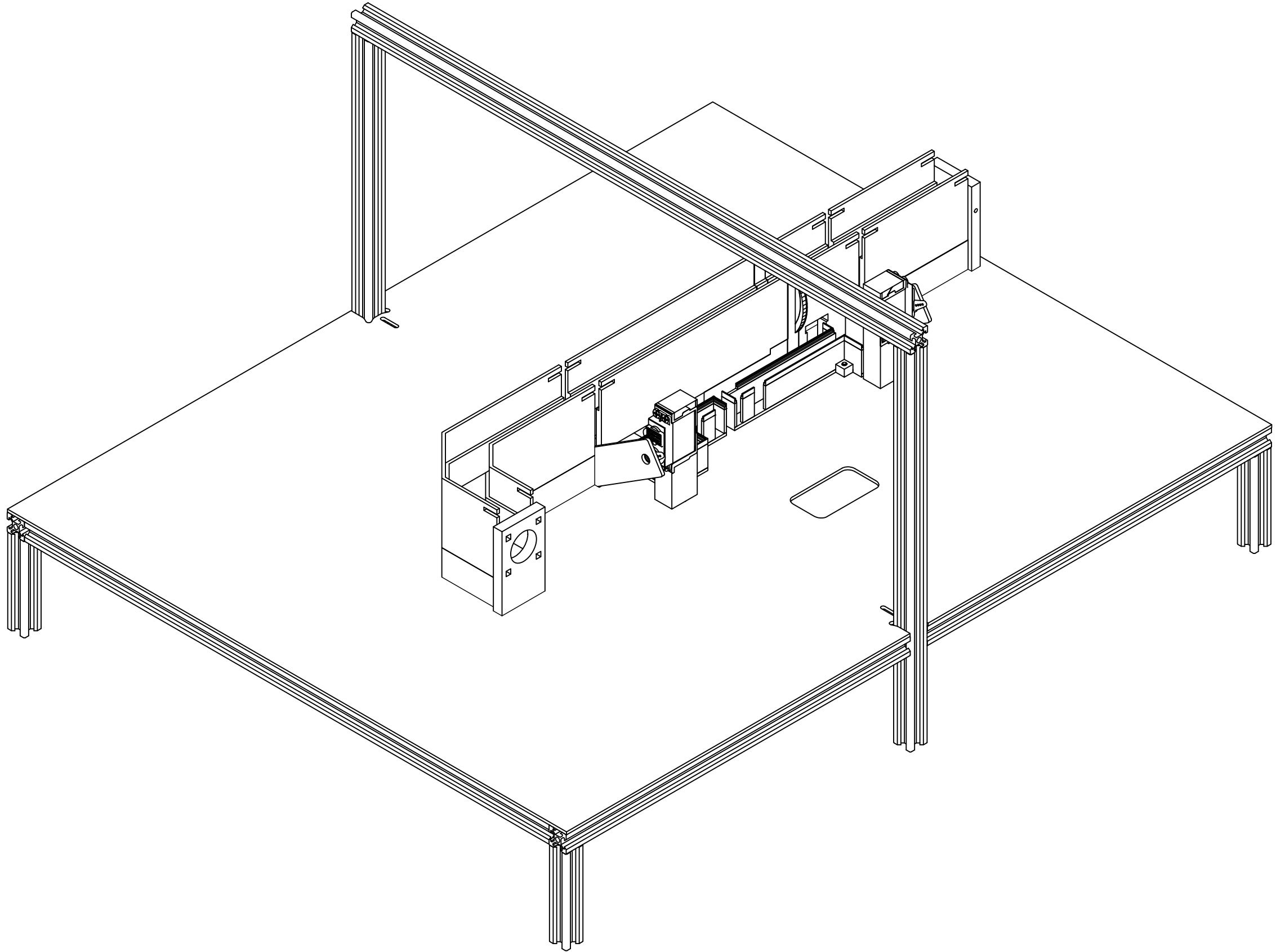
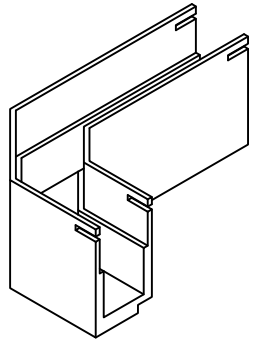


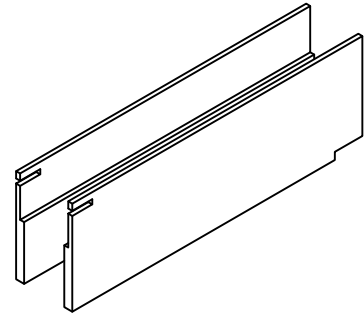
MOUSEVILLAGE



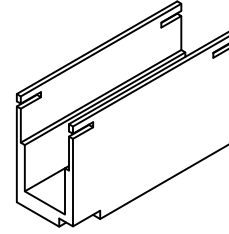
PARTS LIST



1x

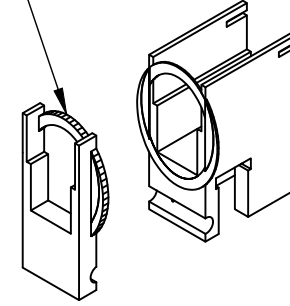


1x

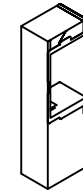


1x

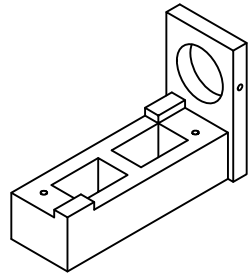
Glue this 2 parts together



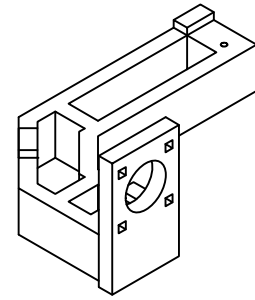
1x



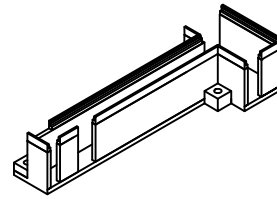
2x



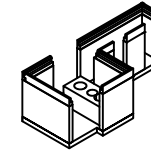
1x



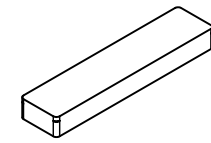
1x



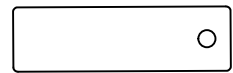
1x



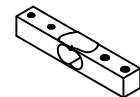
2x



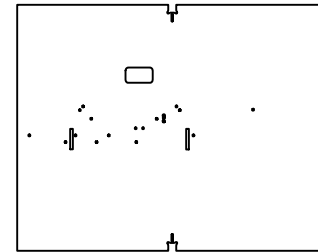
2x



2x



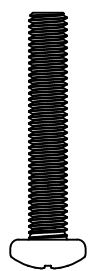
1x



1x

2x

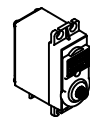
2x



2x
(M4)



10x
(M4)



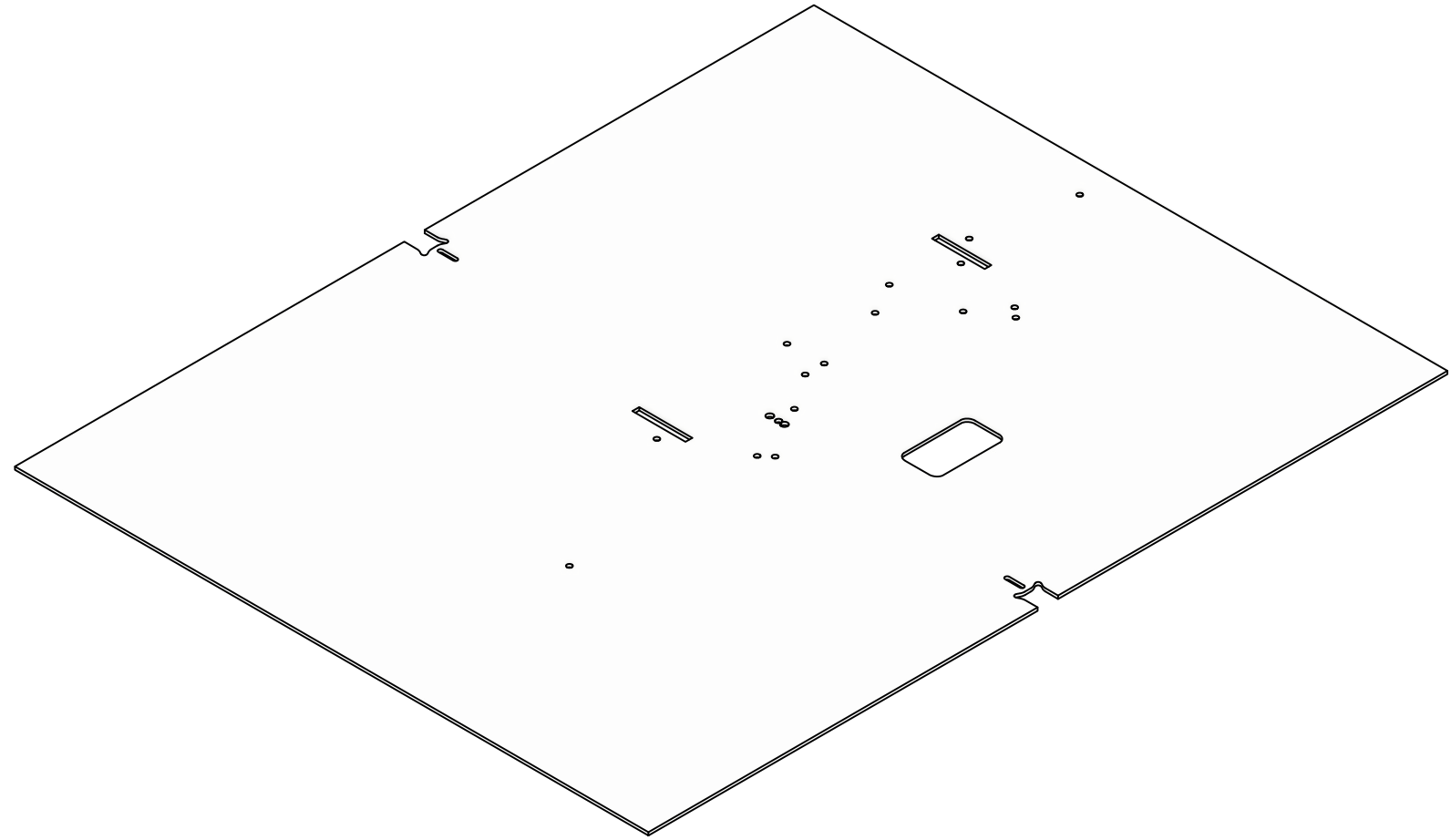
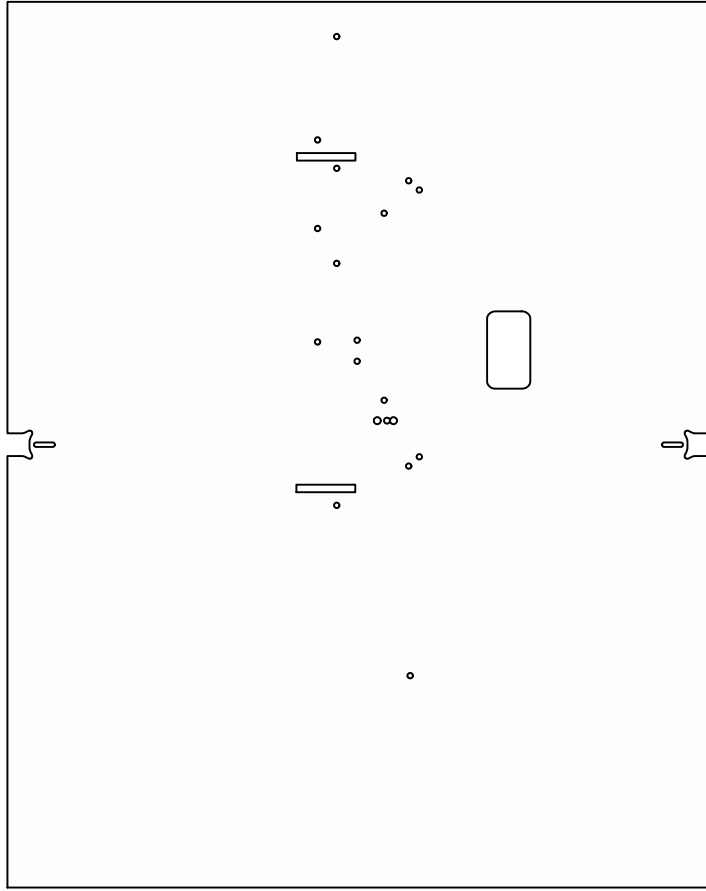
2x



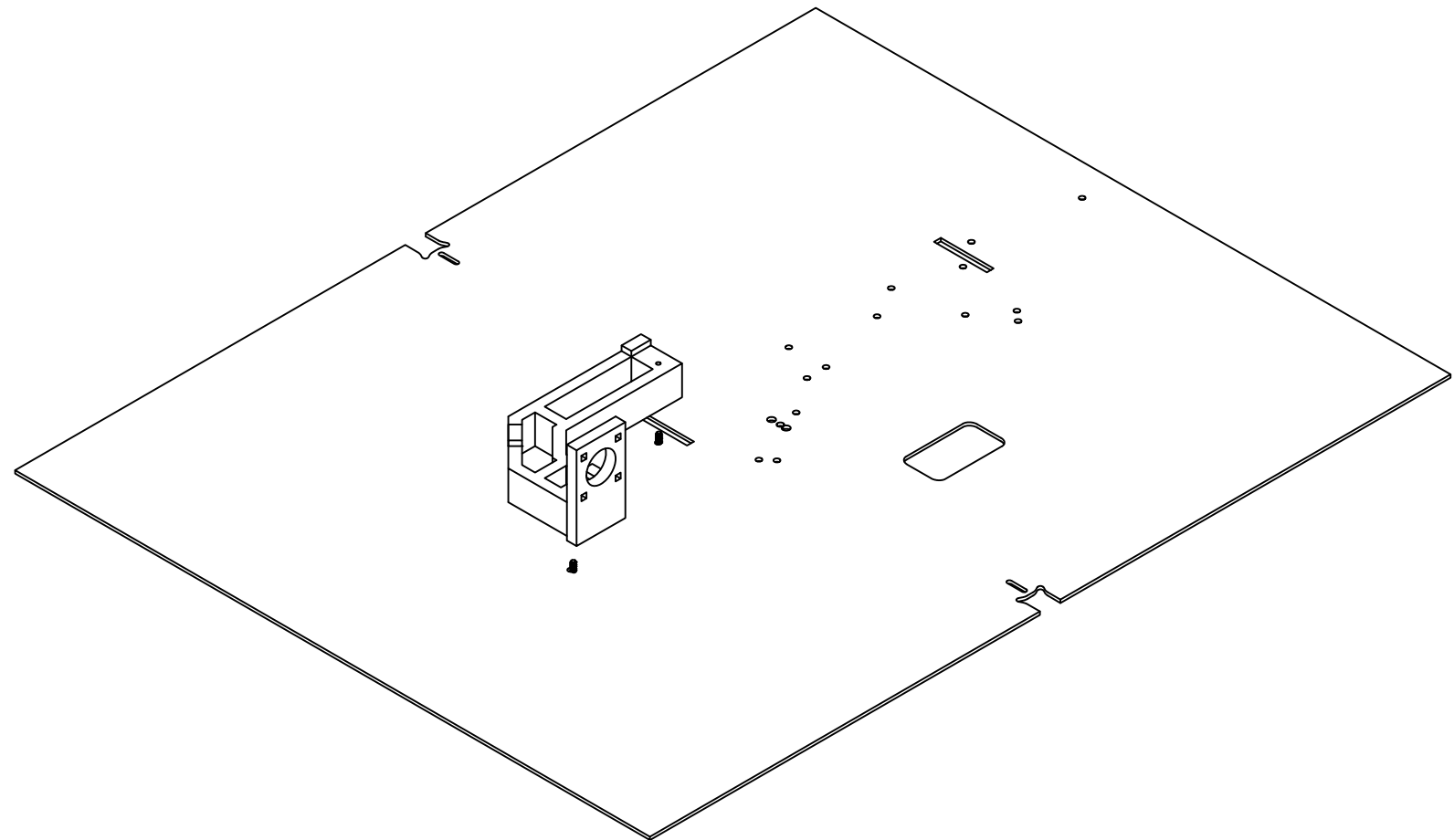
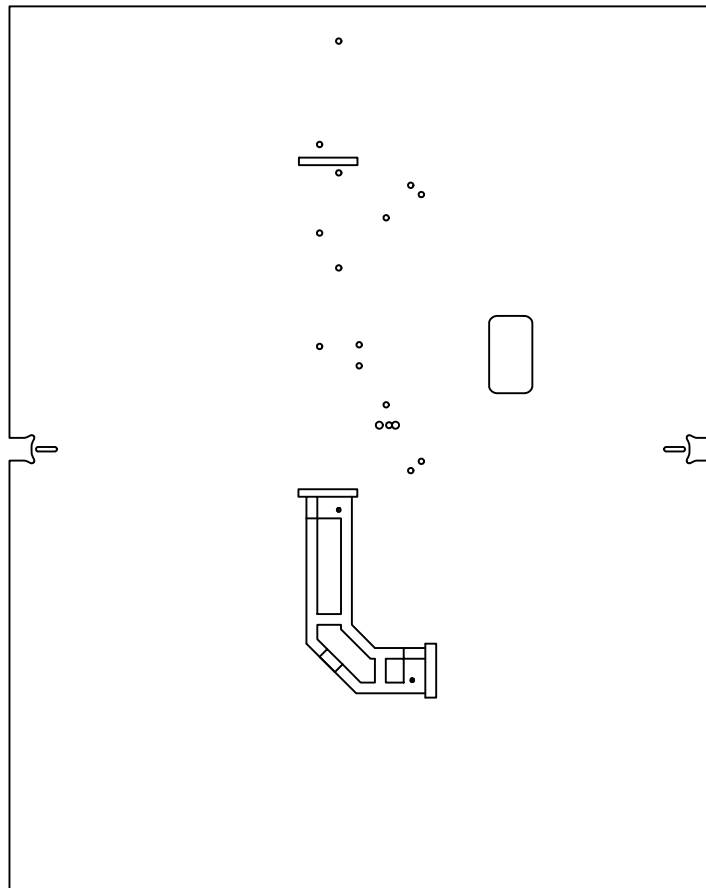
2x



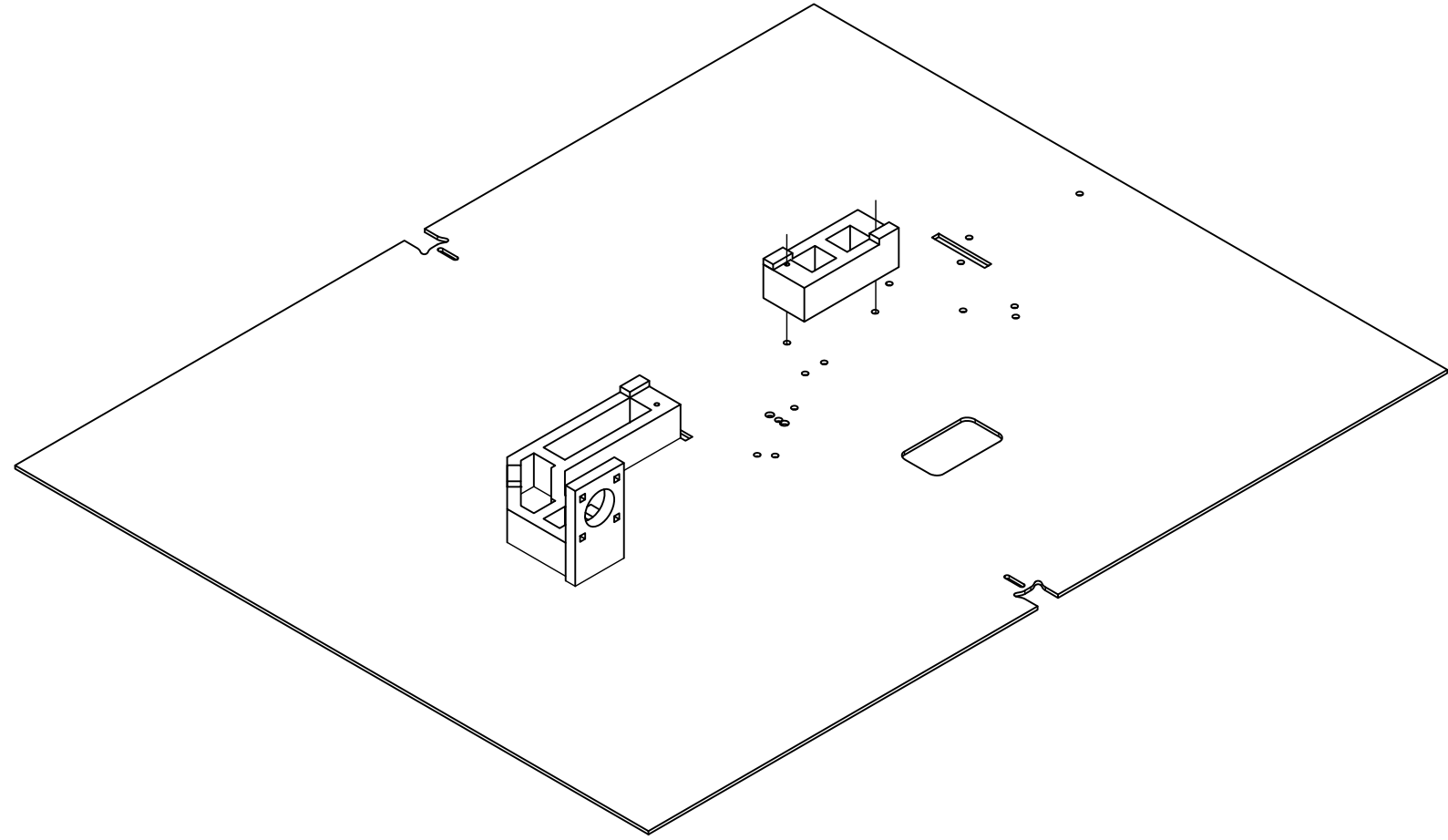
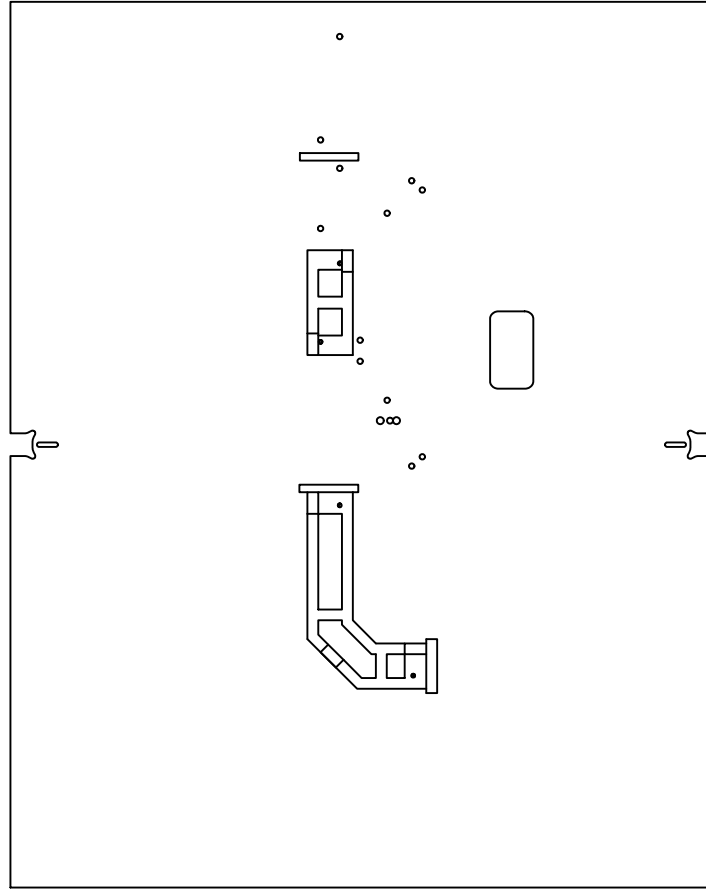
STEP 0



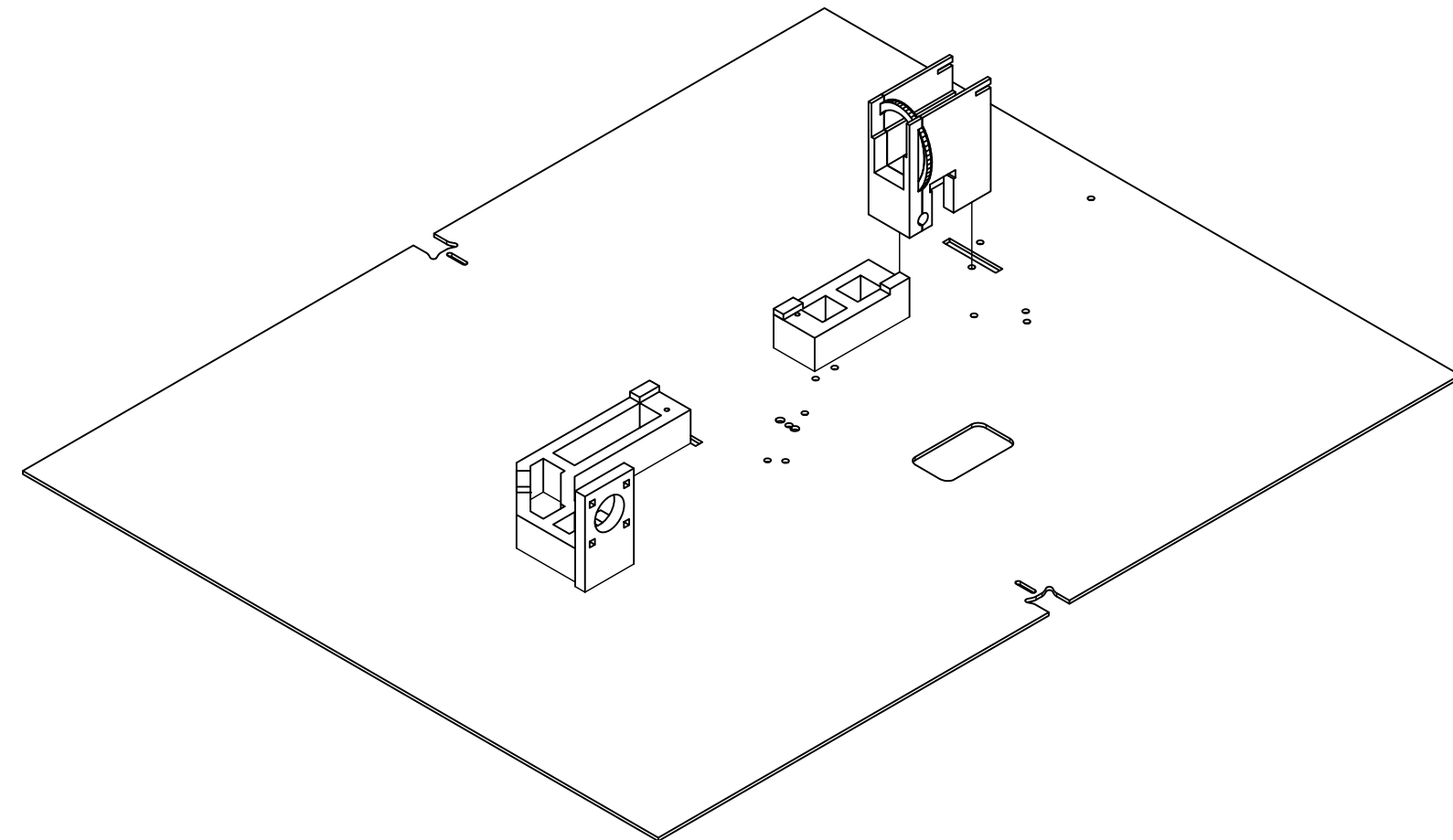
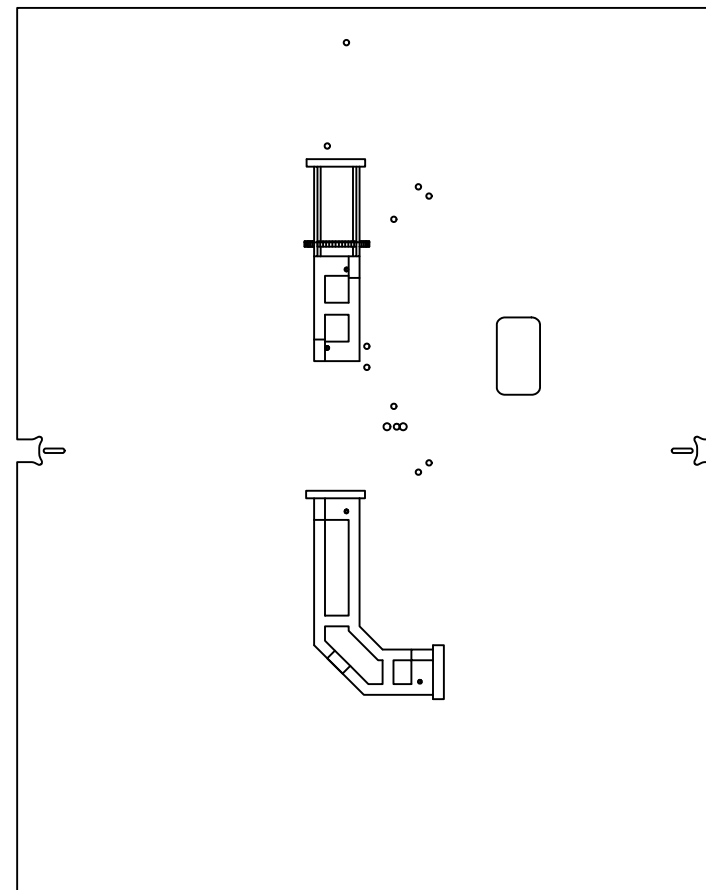
STEP 1



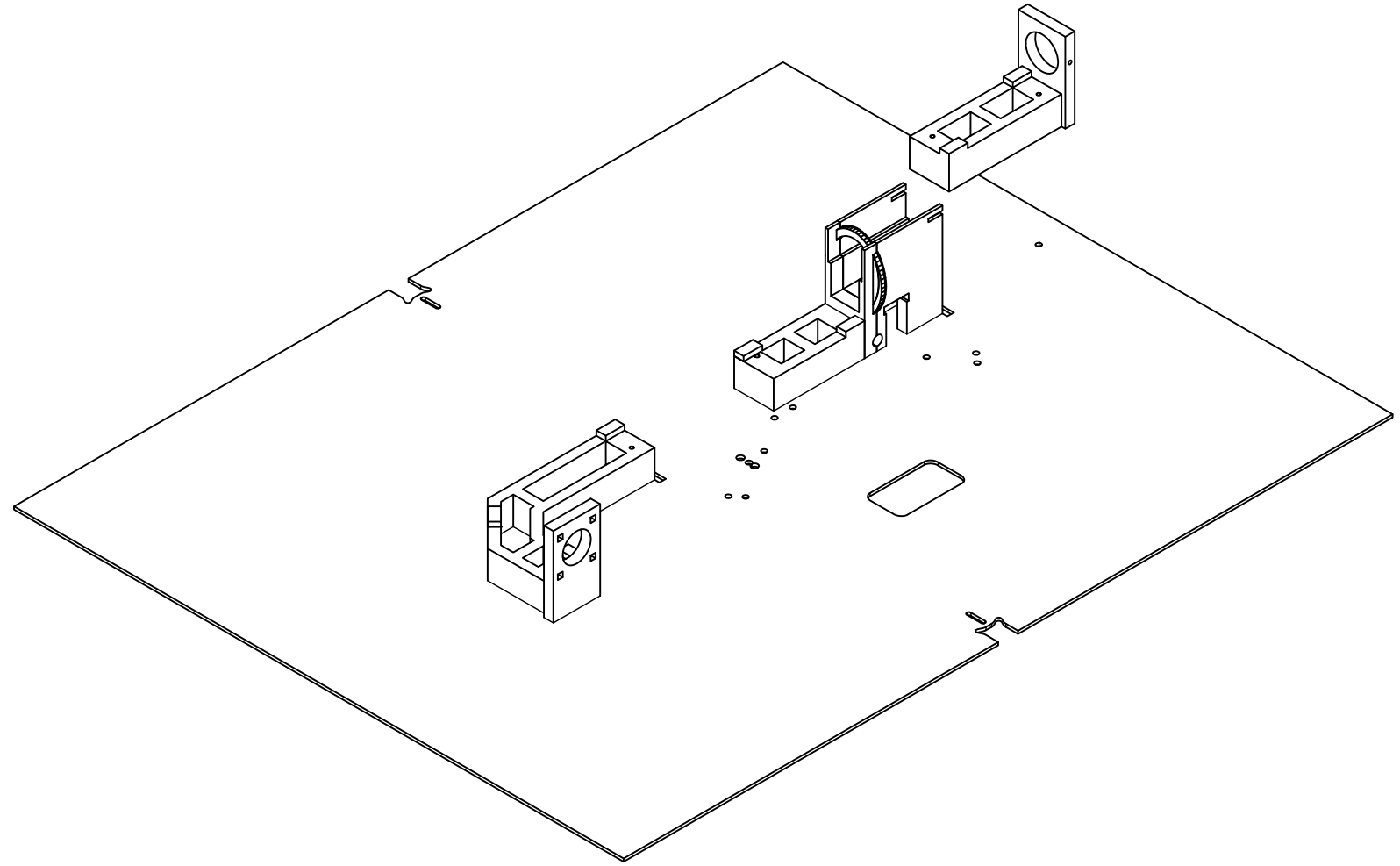
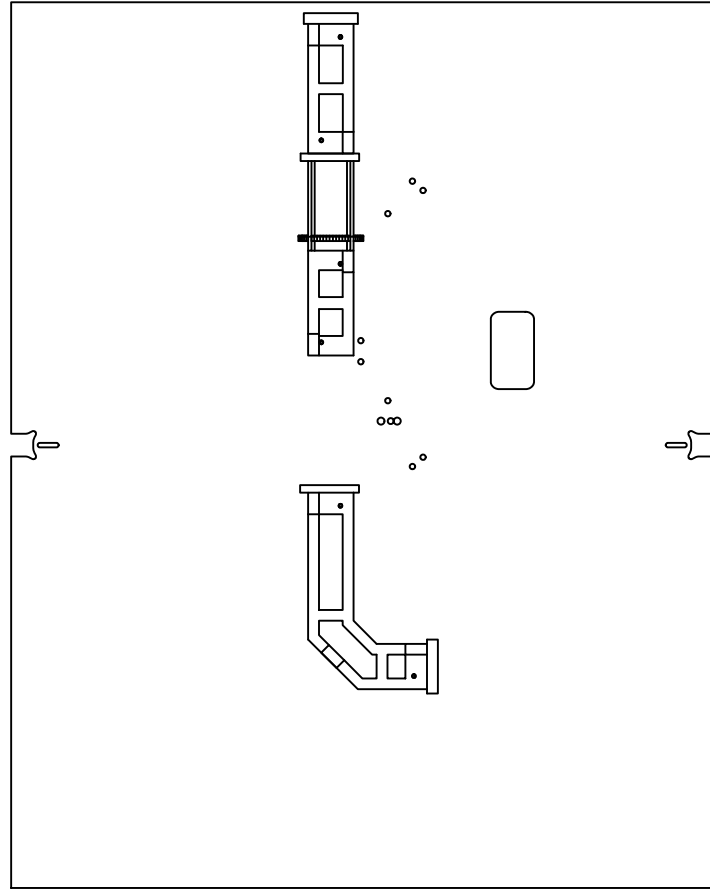
STEP 3



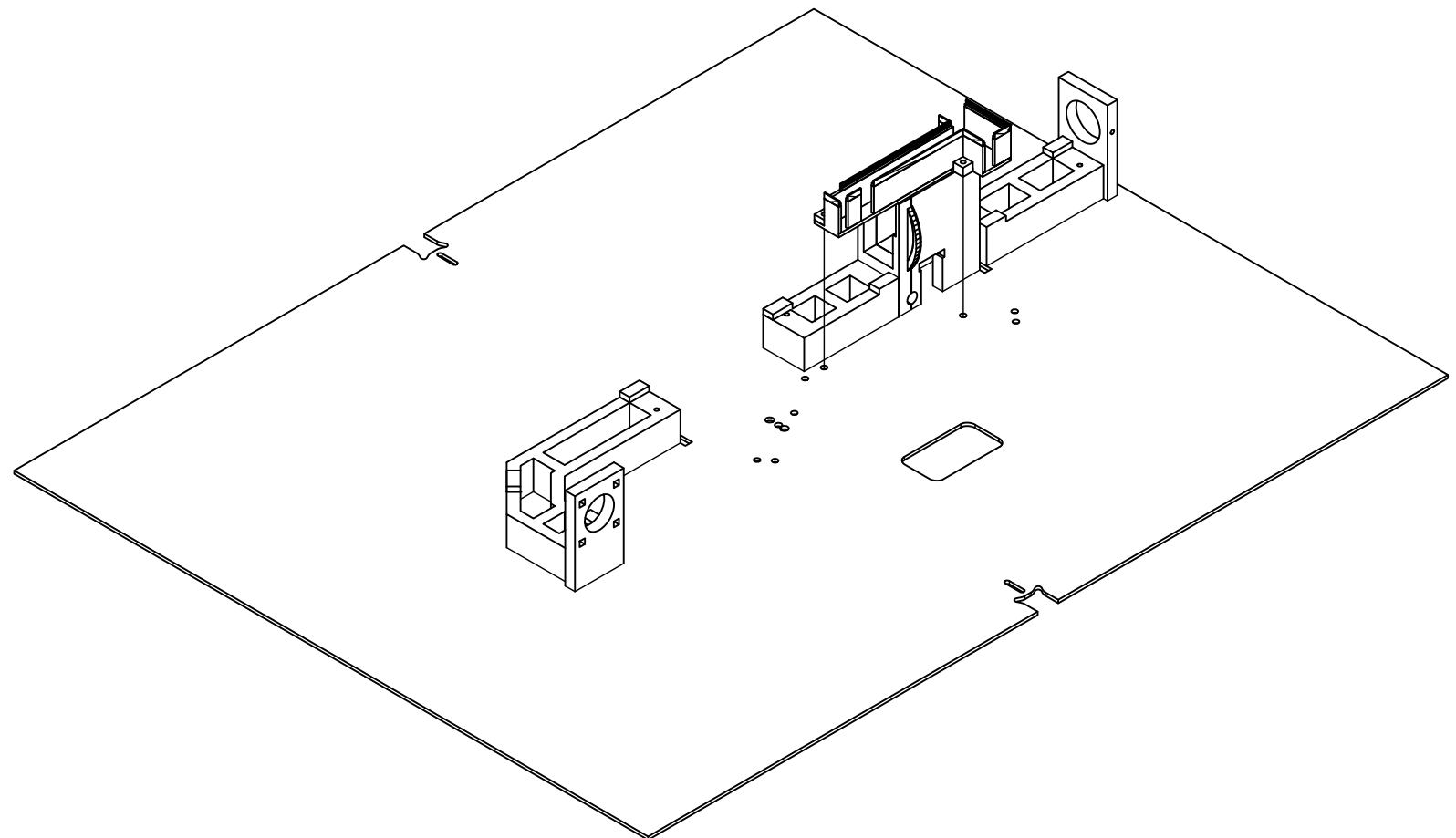
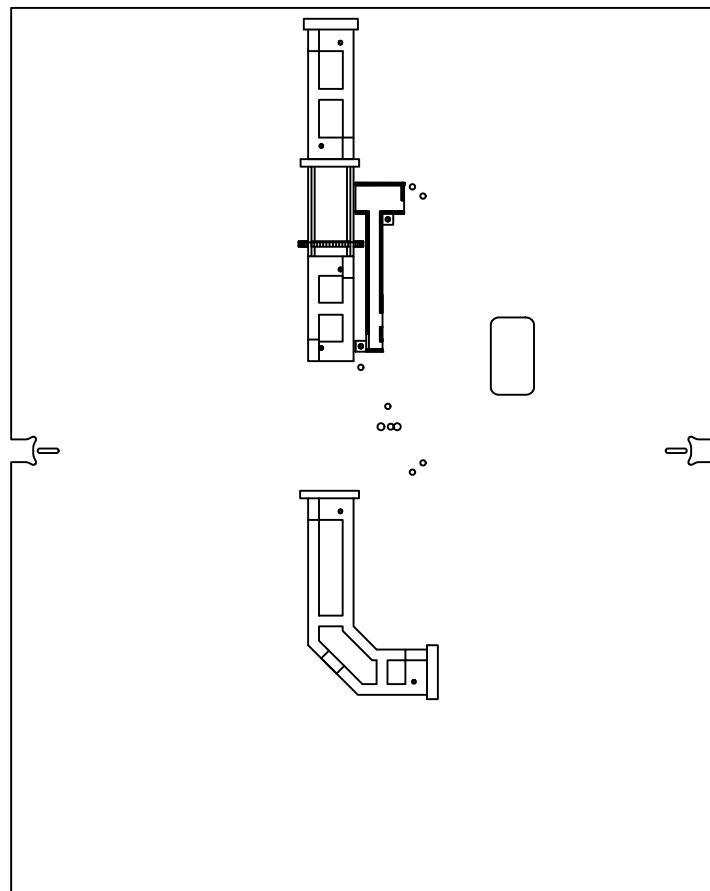
STEP 4



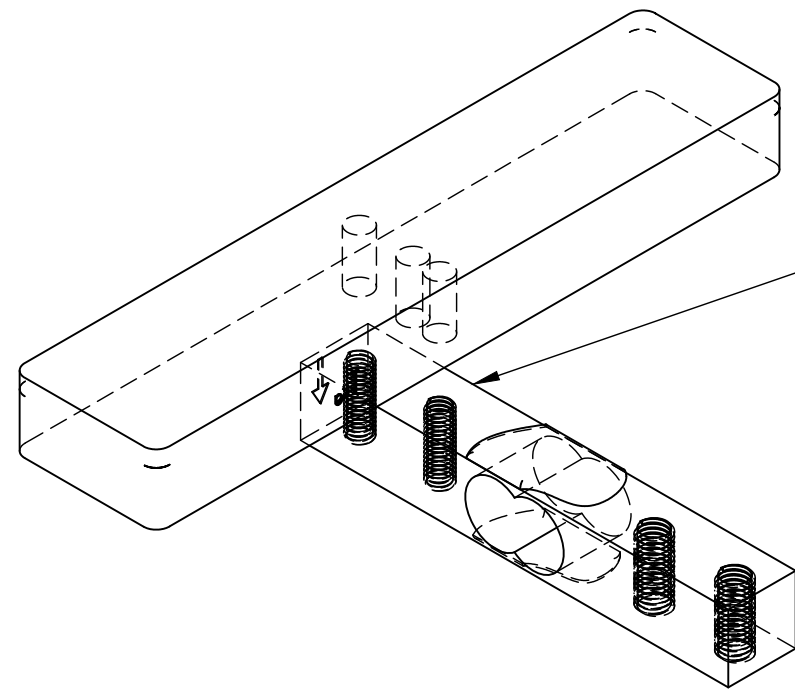
STEP 5



STEP 6

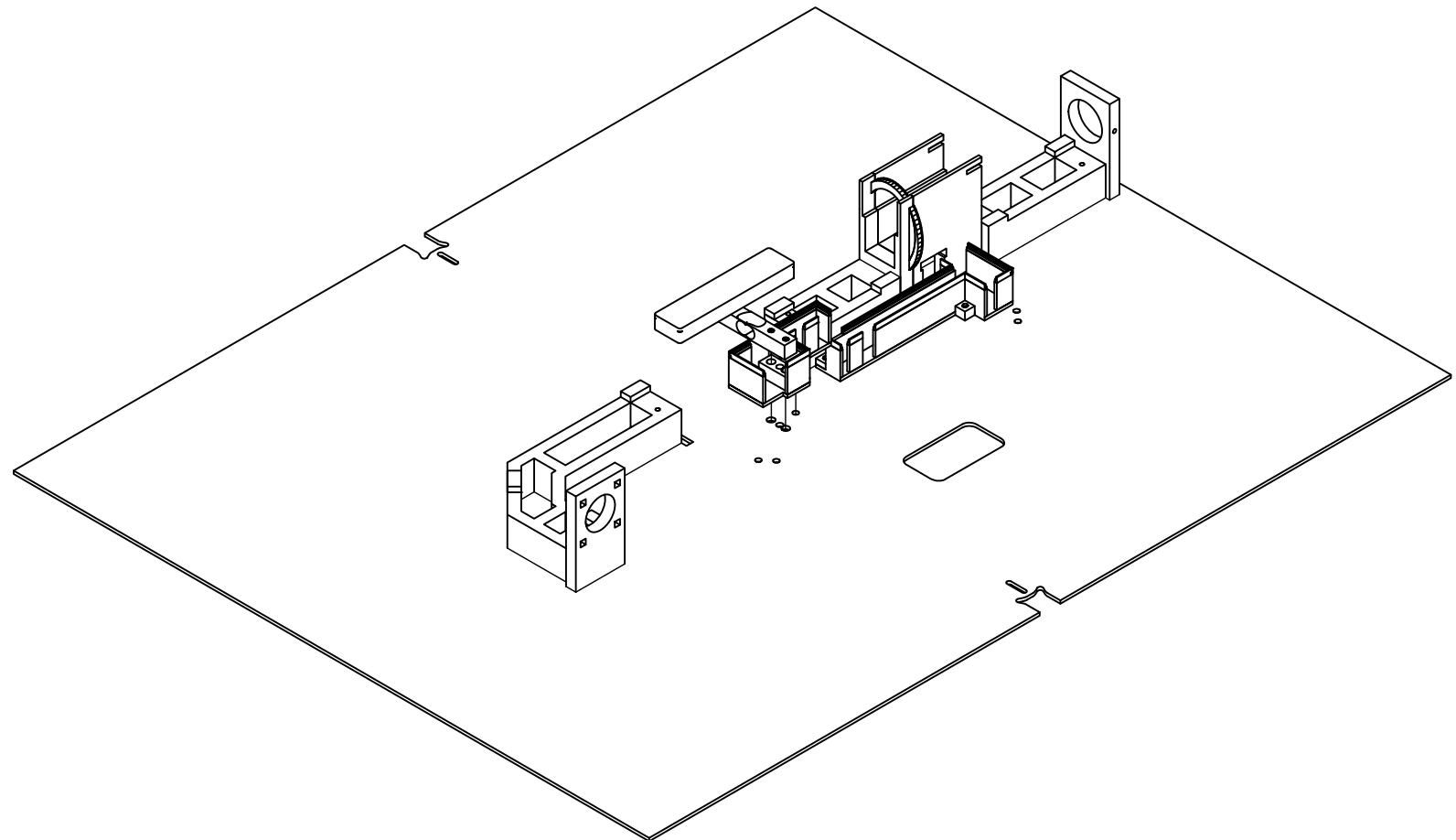
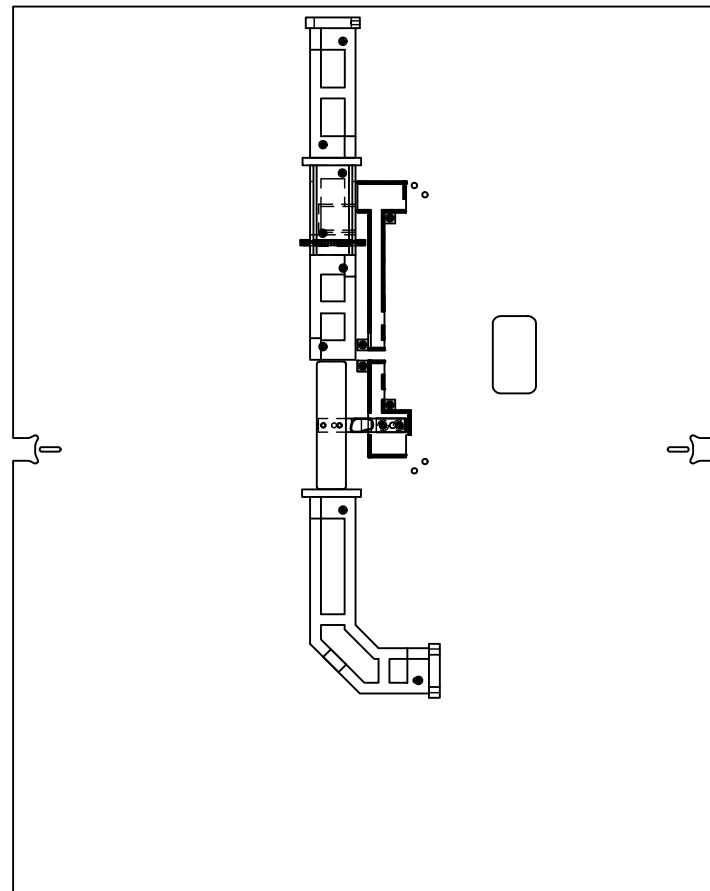


STEP PREVIOUS TO 7

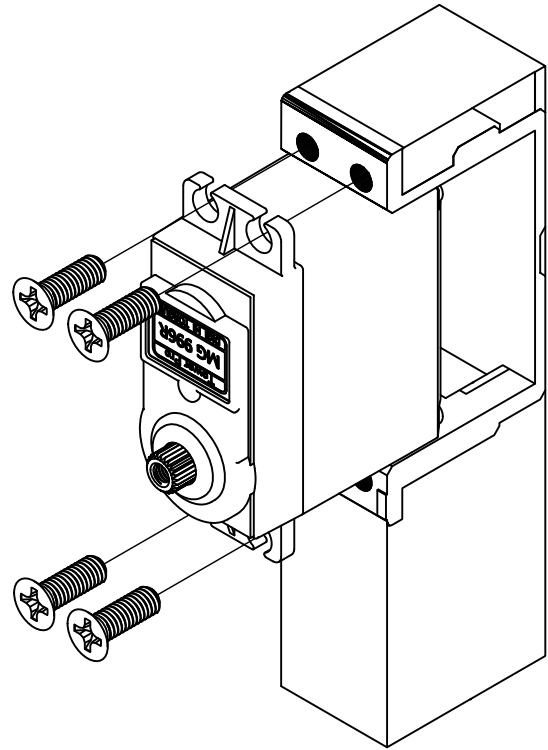


Screw using the holes that match your scale

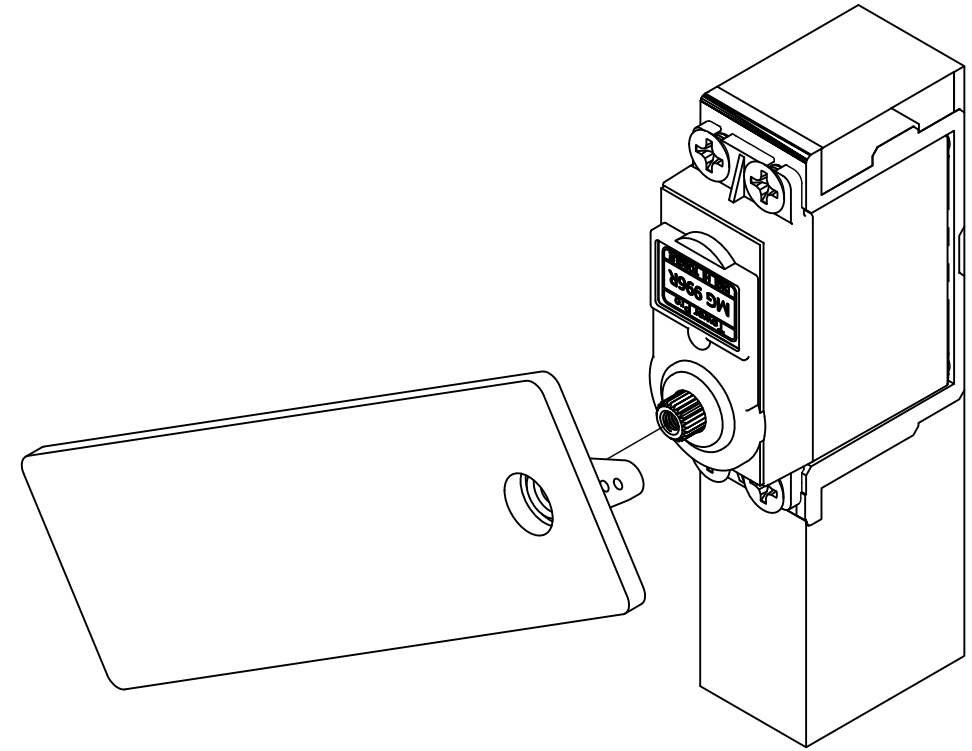
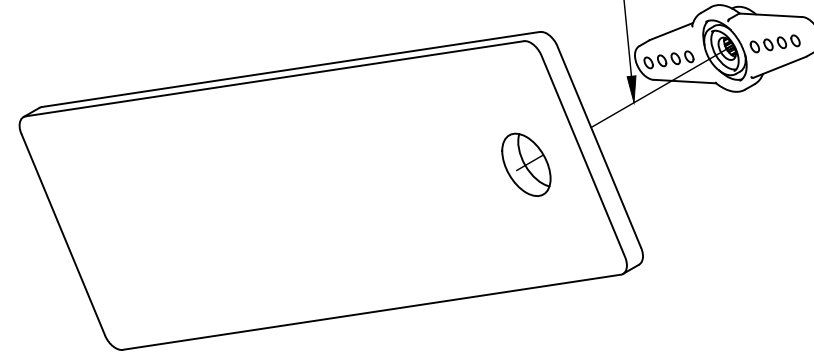
STEP 7



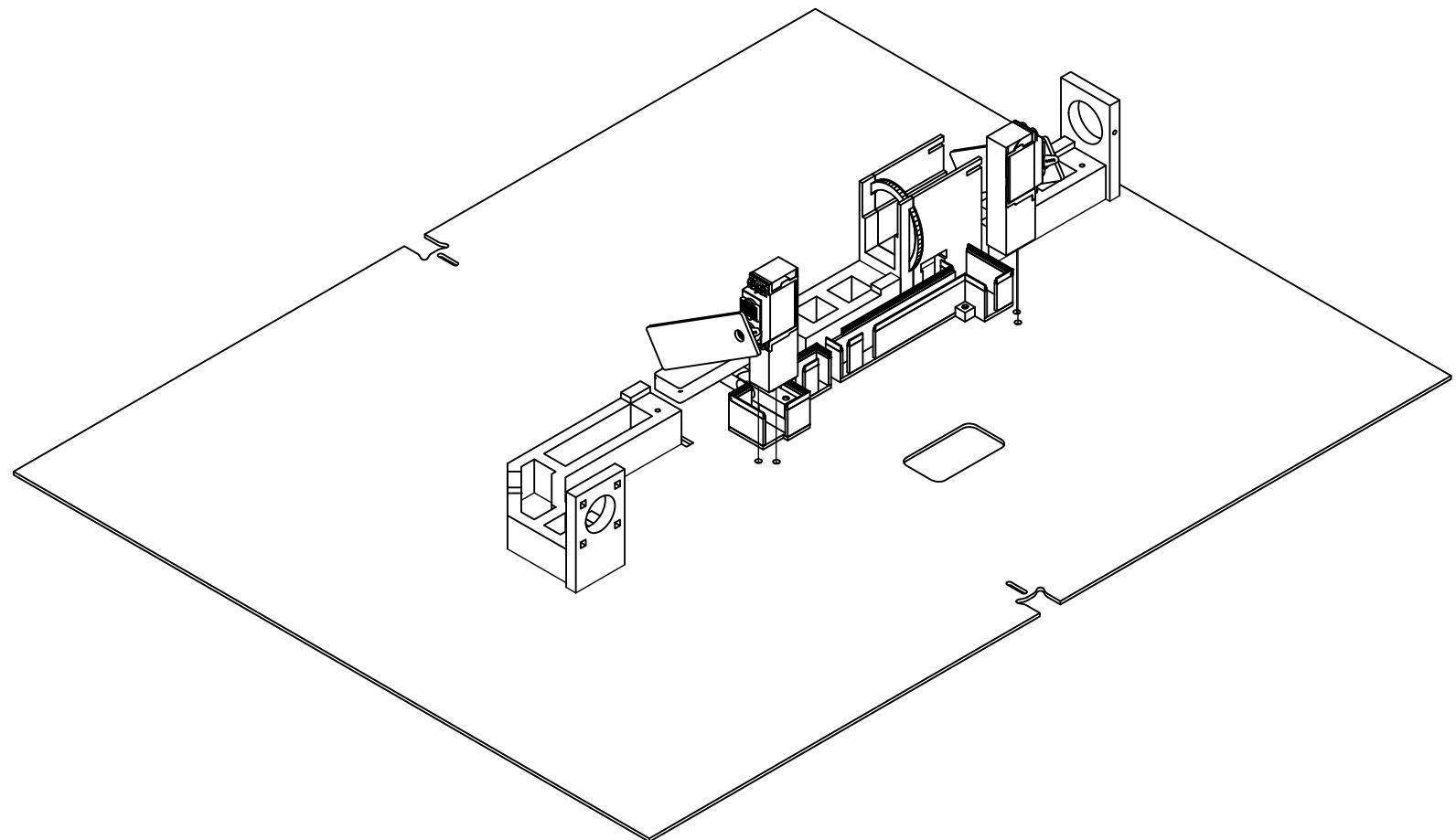
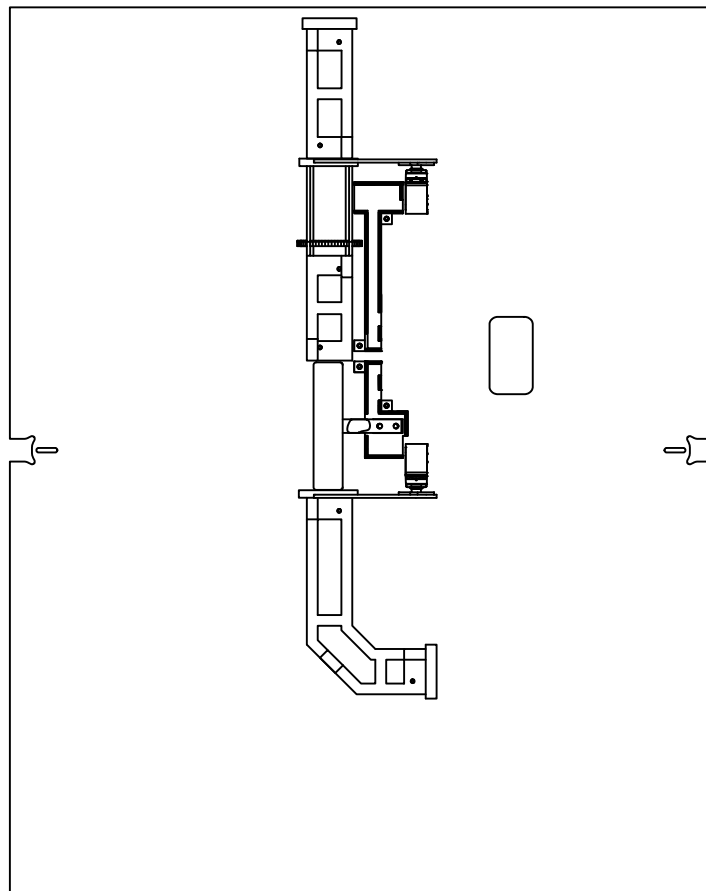
STEP PREVIOUS TO 8 (x2)



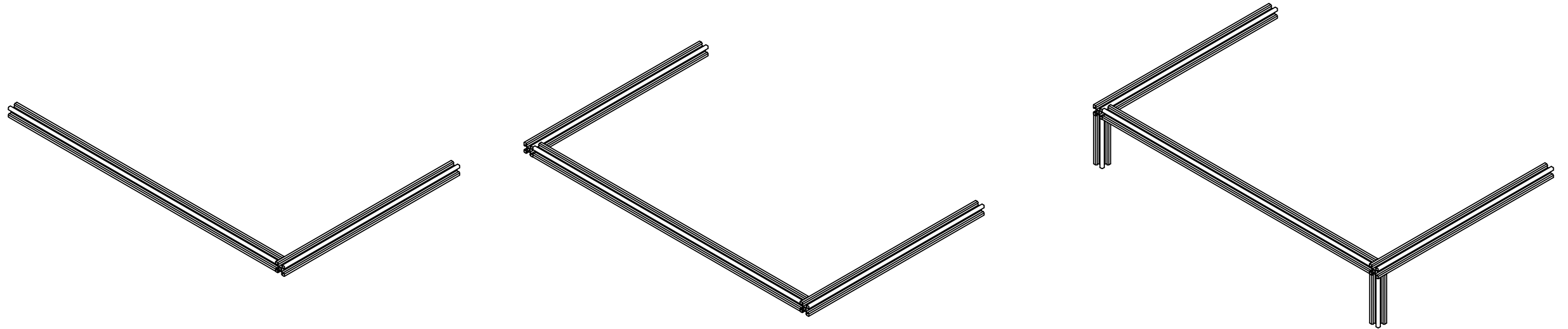
Glue the 2 pieces together



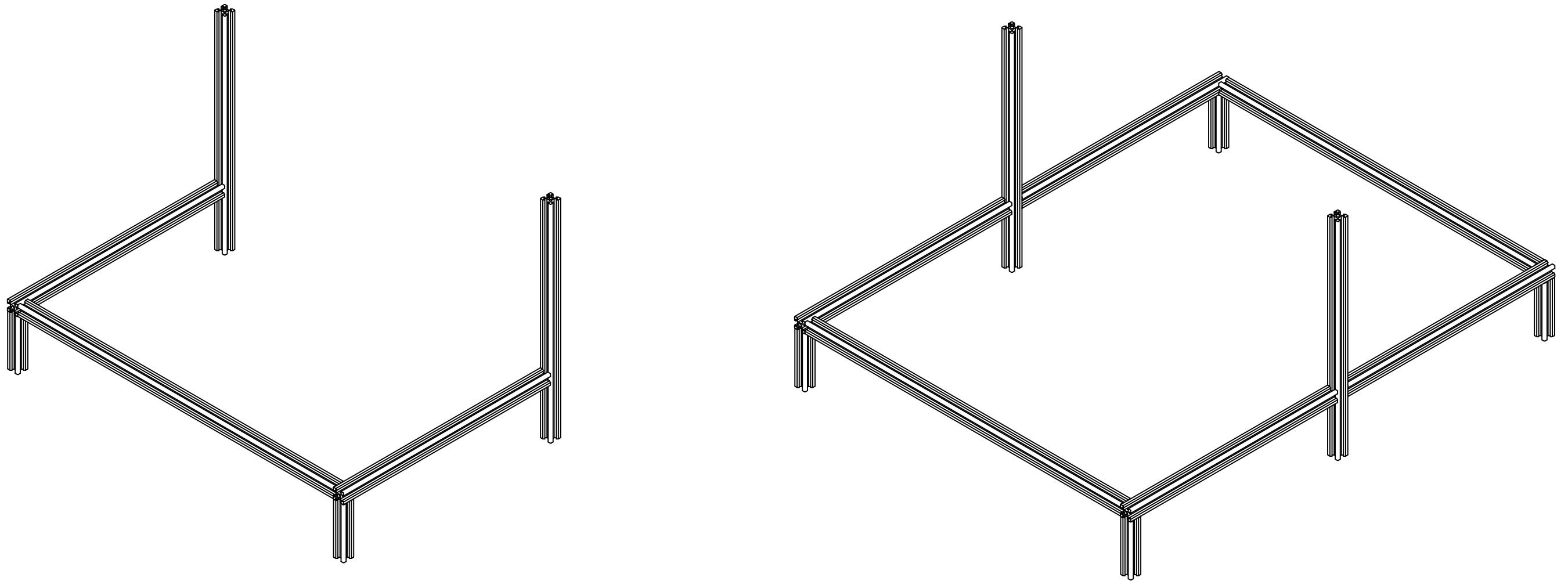
STEP 8



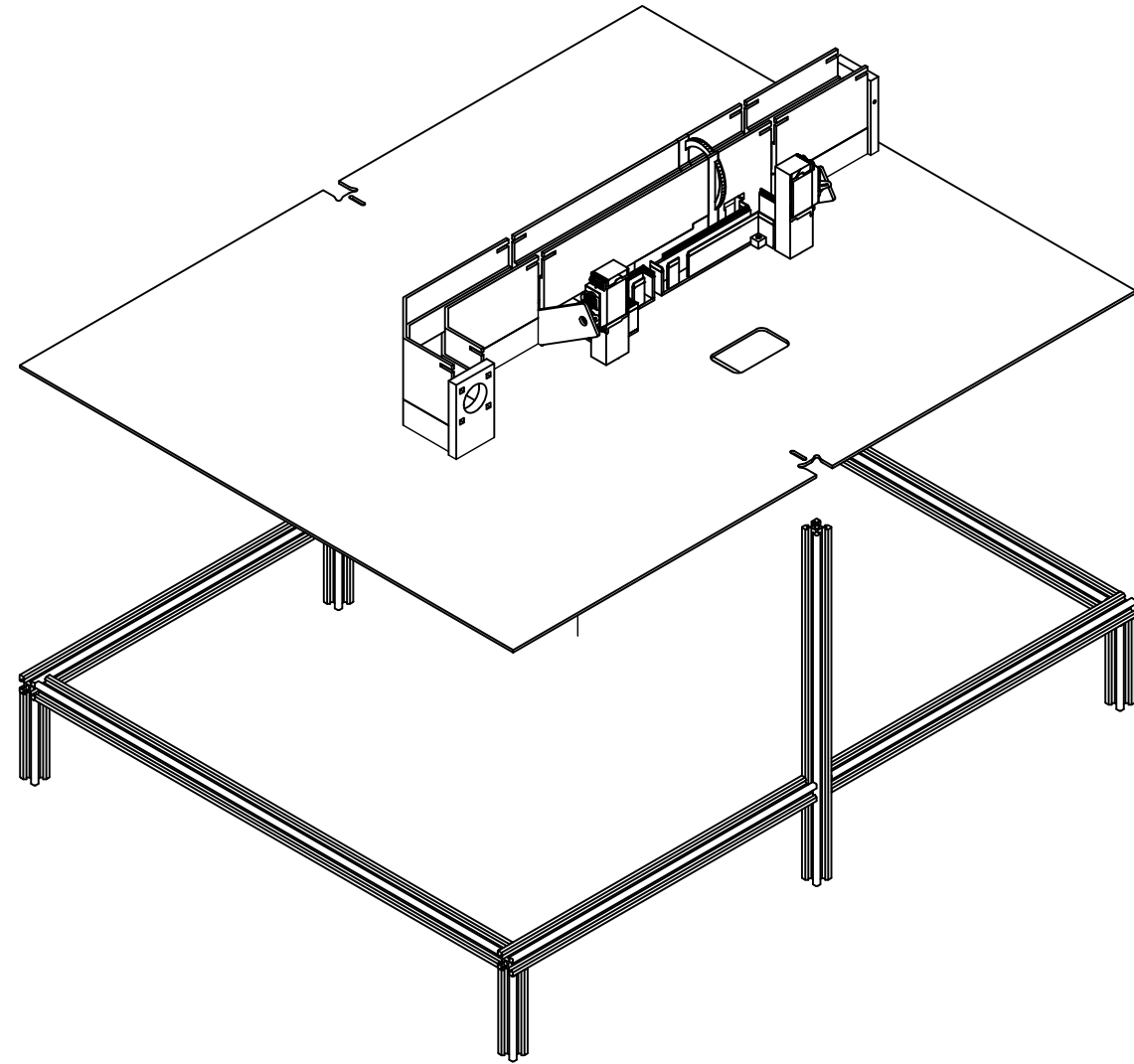
STEP 9 (x2)



STEP 10



STEP 11



STEP 12

